

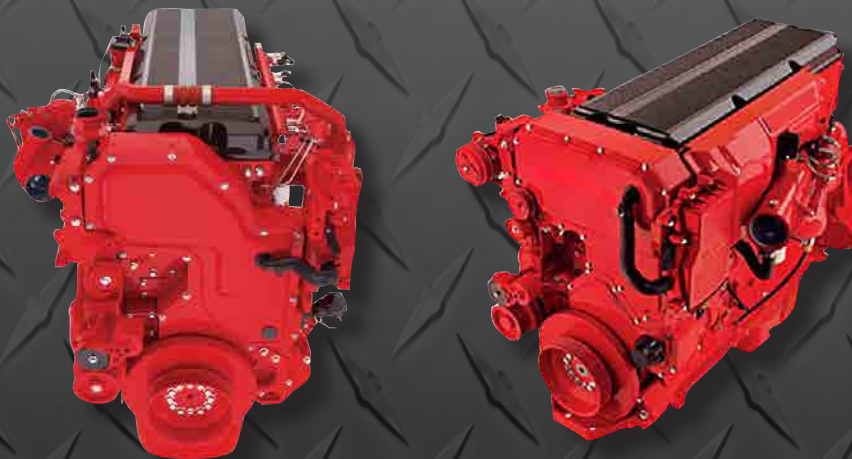


INTERSTATE-McBEE



New Replacement Parts for **CUMMINS®**

ISX-QSX-X15 Engine Applications



September 2019

INTERSTATE-McBEE, LLC

5300 Lakeside Avenue • Cleveland, Ohio 44114 USA

216-881-0015 • Toll Free: 1-800-321-4234 • Fax: 216-881-0805

www.interstate-mcbee.com • E-mail: sales@interstate-mcbee.com

All manufacturer's names, symbols and descriptions are for reference only and it is not implied that any item listed is a product of said manufacturer.
© Cummins is a registered trademark of Cummins, Inc.



INTERSTATE-McBEE



INTERSTATE-McBEE, LLC

5300 Lakeside Avenue • Cleveland, Ohio 44114-3996 U.S.A.
216-881-0015 • Toll Free: 1-800-321-4234 • Fax: 216-881-0805
www.interstate-mcbee.com • E-mail: sales@interstate-mcbee.com



TABLE OF CONTENTS

ISX-QSX-X15

CPL Listing.....4-9

ISX-QSX-X15

Aftertreatment Components	22
Cooling System	21
Crankshaft Seals & Damper	17
Cylinder Block	16
Cylinder Components	15
Cylinder Head Components	18-20
Cylinder Liner Progression.....	13
Engine Control System	22
Engine Bearings	16
Exhaust System	22
Flywheel Housing	18
Fuel System.....	22
Gaskets.....	23-25
Gasket Sets	17
HPI Fuel Injectors	21
In-Frame Kits	10
In-Frame Re-ring Kits.....	11
Lubrication System	20
Piston Progression	12
Power Cylinder Update.....	14

Numerical Parts Index..... 26-29

Warranty Information..... 30-31

ISX-QSX-X15 CPL LISTING

CPL #	MODEL	Liner OD	IN-FRAME KIT Non-APR	APR IN-FRAME KIT (In Development)	LOWER GASKET SET	FUEL INJECTOR
927	ISX 07	150mm	N/A	M-4376174	M-4955591	
		152mm	N/A	M-4376428		
1434	ISX 07	150mm	N/A	M-4376174	M-4955591	R-4954888
		152mm	N/A	M-4376428		
1437	ISX 870	150mm	N/A	M-4376175	M-4955591	
		152mm	N/A	M-5405988		
1732	QSX 07	150mm	M-4352291	In Development	M-4955590	R-4928260
1771	ISX1 / ISX2	150mm	N/A	M-4376171	M-4955590	R-4088301
		152mm	N/A	M-4376429		
2440	ISX1 / ISX2	150mm	N/A	M-4376171	M-4955590	R-4010292
		152mm	N/A	M-4376429		
2441	ISX1 / ISX2	150mm	N/A	M-4376171	M-4955590	R-4062567
		152mm	N/A	M-4376429		
2442	ISX3 / Signature	150mm	N/A	M-4376172	M-4955590	R-4062568
		152mm	N/A	In Development		
2483	ISX3 / Signature	150mm	N/A	M-4376172	M-4955590	R-4062568
		152mm	N/A	In Development		
2627	ISX1 / ISX2	150mm	N/A	M-4376171	M-4955590	R-4010292
		152mm	N/A	M-4376429		
2628	ISX 400/450	150mm	N/A	M-4376171	M-4955590	R-4010292
		152mm	N/A	M-4376429		
2629	ISX500/475 ST2	150mm	N/A	M-4376171	M-4955590	R-4088301
		152mm	N/A	M-4376429		
2630	ISX3 / Signature	150mm	N/A	M-4376172	M-4955590	R-4062568
		152mm	N/A	In Development		
2631	ISX 450	150mm	N/A	M-4376171	M-4955590	R-4010292
		152mm	N/A	M-4376429		
2632	ISX1 / ISX2	150mm	N/A	M-4376171	M-4955590	R-4088301
		152mm	N/A	M-4376429		
2633	ISX3 / Signature	150mm	N/A	M-4376172	M-4955590	R-4062568
		152mm	N/A	In Development		
2732	ISX 07	150mm	N/A	M-4376175	M-4955591	R-4954434
		152mm	N/A	M-5405988		
2733	ISX 07	150mm	N/A	M-4376174	M-4955591	R-4954888
		152mm	N/A	M-4376428		

NOTE: The In-Frame kit numbers specified here are for use in engines that were originally built with one piece steel pistons or those that have been already updated to one piece steel pistons. These kits do not include connecting rods.

ISX-QSX-X15 CPL LISTING

CPL #	MODEL	Liner OD	IN-FRAME KIT Non-APR	APR IN-FRAME KIT (In Development)	LOWER GASKET SET	FUEL INJECTOR
2734	ISX 07	150mm	N/A	M-4376174	M-4955591	R-4088665
		152mm	N/A	M-4376428		
2801	ISX3 / Signature	150mm	N/A	M-4376172	M-4955590	R-4062568
		152mm	N/A	In Development		
2803	ISX1 / ISX2	150mm	N/A	M-4376171	M-4955590	R-4010292
		152mm	N/A	M-4376429		
2814	ISX1 / ISX2	150mm	N/A	M-4376171	M-4955590	R-4062567
		152mm	N/A	M-4376429		
2816	ISX3 / Signature	150mm	N/A	M-4376172	M-4955590	R-4062568
		152mm	N/A	In Development		
2825	Industrial / GenSet	150mm	M-4352288	In Development	M-4955590	R-4062569
2834	Signature 600/565	150mm	N/A	M-4376172	M-4955590	R-4062568
		152mm	N/A	In Development		
2835	Signature 600/565	150mm	M-4352288	In Development	M-4955590	R-4062568
2836	ISX3 / Signature	150mm	N/A	M-4376172	M-4955590	R-4062568
		152mm	N/A	In Development		
2837	ISX3 / Signature	150mm	N/A	M-4376172	M-4955590	R-4062568
		152mm	N/A	In Development		
2900	ISX3 / Signature	150mm	N/A	M-4376172	M-4955590	R-4062568
		152mm	N/A	In Development		
2919	ISX 07	150mm	N/A	M-4376174	M-4955591	R-4088665
		152mm	N/A	M-4376428		
2933	ISX1 / ISX2	150mm	N/A	M-4376171	M-4955590	R-4088301
		152mm	N/A	M-4376429		
2934	ISX1 / ISX2	150mm	N/A	M-4376171	M-4955590	R-4088301
		152mm	N/A	M-4376429		
2965	ISX 07	150mm	N/A	M-4376174	M-4955591	R-4088665
		152mm	N/A	M-4376428		
3087	QSX 07	150mm	M-4352291	In Development	M-4955590	R-4928260
3088	QSX 07	150mm	M-4352291	In Development	M-4955590	R-4928260
3167	ISX 07	150mm	N/A	M-4376174	M-4955591	
		152mm	N/A	M-4376428		
3229	ISX 07	150mm	N/A	M-4376175	M-4955591	R-4954434
		152mm	N/A	M-5405988		

NOTE: The In-Frame kit numbers specified here are for use in engines that were originally built with one piece steel pistons or those that have been already updated to one piece steel pistons. These kits do not include connecting rods.

ISX-QSX-X15 CPL LISTING

CPL #	MODEL	Liner OD	IN-FRAME KIT Non-APR	APR IN-FRAME KIT (In Development)	LOWER GASKET SET	FUEL INJECTOR
3320	ISX 07	150mm	N/A	M-4376174	M-4955591	R-4088665
		152mm	N/A	M-4376428		
3348	ISX10	150mm	N/A	M-5473065	M-2881766	
		152mm	N/A	M-4376427		
3349	ISX10	150mm	N/A	M-5473065	M-2881766	
		152mm	N/A	M-5473066		
3350	ISX10	150mm	N/A	M-5473069	M-2881766	
		152mm	N/A	M-5473070		
3356	ISX10	150mm	N/A	M-5473069	M-2881766	
		152mm	N/A	M-5473070		
3376	ISX10	150mm	N/A	M-5473065	M-2881766	
		152mm	N/A	M-4376427		
3458	ISX 07	150mm	N/A	M-4376174	M-4955591	
		152mm	N/A	M-4376428		
3459	ISX 07	150mm	N/A	M-4376175	M-4955591	
		152mm	N/A	M-5405988		
3490	ISX10	150mm	N/A	M-5473065	M-2881766	
		152mm	N/A	M-5473066		
3491	ISX10	150mm	N/A	M-5473065	M-2881766	
		152mm	N/A	M-5473066		
3566	ISX10	150mm	N/A	M-5473069	M-2881766	
		152mm	N/A	M-5473070		
3567	ISX10	150mm	N/A	M-5473074	M-2881766	
		152mm	N/A	M-5473075		
3606	ISX10	150mm	N/A	M-5473069	M-2881766	
		152mm	N/A	M-5473070		
3657	ISX10	150mm	N/A	M-5473074	M-2881766	
		152mm	N/A	M-5473075		
3687	ISX10	150mm	N/A	M-5473065	M-2881766	
		152mm	N/A	M-5473066		
3688	ISX10	150mm	N/A	M-5473065	M-2881766	
		152mm	N/A	M-5473066		
3719	ISX10	150mm	N/A	M-5473074	M-2881766	
		152mm	N/A	M-5473075		

NOTE: The In-Frame kit numbers specified here are for use in engines that were originally built with one piece steel pistons or those that have been already updated to one piece steel pistons. These kits do not include connecting rods.

ISX-QSX-X15 CPL LISTING

CPL #	MODEL	Liner OD	IN-FRAME KIT Non-APR	APR IN-FRAME KIT (In Development)	LOWER GASKET SET	FUEL INJECTOR
3724	ISX10	150mm	N/A	M-5473074	M-2881766	
		152mm	N/A	M-5473075		
3765	ISX10	150mm	N/A	M-5473069	M-2881766	
		152mm	N/A	M-5473070		
3766	ISX10	150mm	N/A	M-5473069	M-2881766	
		152mm	N/A	M-5473070		
3775	ISX 07	150mm	N/A	M-4376175	M-4955591	
		152mm	N/A	M-5405988		
3794	ISX10	150mm	N/A	M-5473069	M-2881766	
		152mm	N/A	M-5473070		
3797	ISX10	150mm	N/A	M-5473069	M-2881766	
		152mm	N/A	M-5473070		
3937	ISX10	150mm	N/A	M-5473074	M-2881766	
		152mm	N/A	M-5473075		
3938	ISX10	150mm	N/A	M-5473069	M-2881766	
		152mm	N/A	M-5405987		
3939	ISX10	150mm	N/A	M-5473069	M-2881766	
		152mm	N/A	M-5473070		
4262	QSX 07	150mm	M-4352291	In Development	M-4955590	R-4928260
4495	ISX10	150mm	N/A	M-5473069	M-2881766	
		152mm	N/A	M-5405987		
4583	ISX10	150mm	N/A	M-5473074	M-2881766	
		152mm	N/A	M-5473075		
4584	ISX10	150mm	N/A	M-5473069	M-2881766	
		152mm	N/A	M-5473070		
4585	ISX10	150mm	N/A	M-5473069	M-2881766	
		152mm	N/A	M-5473070		
4586	ISX10	150mm	N/A	M-5473074	M-2881766	
		152mm	N/A	M-5473075		
4587	ISX10	150mm	N/A	M-5473069	M-2881766	
		152mm	N/A	M-5473070		
4588	ISX10	150mm	N/A	M-5473069	M-2881766	
		152mm	N/A	M-5473070		
4761	ISX10	150mm	N/A	M-5473074	M-2881766	
		152mm	N/A	M-5473075		

NOTE: The In-Frame kit numbers specified here are for use in engines that were originally built with one piece steel pistons or those that have been already updated to one piece steel pistons. These kits do not include connecting rods.

ISX-QSX-X15 CPL LISTING

CPL #	MODEL	Liner OD	IN-FRAME KIT Non-APR	APR IN-FRAME KIT (In Development)	LOWER GASKET SET	FUEL INJECTOR
8046	ISX 450 ST2	150mm	N/A	M-4376171	M-4955590	R-4062567
		152mm	N/A	M-4376429		
8047	ISX 450 ST2	150mm	N/A	M-4376171	M-4955590	R-4062567
		152mm	N/A	M-4376429		
8048	ISX1 / ISX2	150mm	N/A	M-4376171	M-4955590	R-4062567
		152mm	N/A	M-4376429		
8081	Industrial / GenSet	150mm	M-4352288	In Development	M-4955590	R-4062569
8083	ISX1 / ISX2	150mm	N/A	M-4376171	M-4955590	R-4062569
		152mm	N/A	M-4376429		
8125	ISX2 / ISX3 EGR	150mm	N/A	M-4376174	M-4955591	R-4088665
		152mm	N/A	M-4376428		
8142	Industrial / GenSet	150mm	M-4352288	In Development	M-4955590	R-4062569
8242	ISX1 / ISX2	150mm	N/A	M-4376171	M-4955590	R-4062569
		152mm	N/A	M-4376429		
8243	ISX1 / ISX2	150mm	N/A	M-4376171	M-4955590	R-4088327
		152mm	N/A	M-4376429		
8244	ISX1 / ISX2	150mm	N/A	M-4376171	M-4955590	R-4088301
		152mm	N/A	M-4376429		
8246	ISX3 / Signature	150mm	N/A	M-4376172	M-4955590	R-4062568
		152mm	N/A	In Development		
8247	ISX3 / Signature	150mm	N/A	M-4376172	M-4955590	R-4062568
		152mm	N/A	In Development		
8255	ISX1 / ISX2	150mm	N/A	M-4376171	M-4955590	R-4088327
		152mm	N/A	M-4376429		
8257	ISX1 / ISX2	150mm	N/A	M-4376171	M-4955590	R-4088327
		152mm	N/A	M-4376429		
8258	ISX1 / ISX2	150mm	N/A	M-4376171	M-4955590	R-4088327
		152mm	N/A	M-4376429		
8281	ISX2 / ISX3 EGR	150mm	N/A	M-4376174	M-4955591	R-4088665
		152mm	N/A	M-4376428		
8282	ISX2 / ISX3 EGR	150mm	N/A	M-4376174	M-4955591	R-4088665
		152mm	N/A	M-4376428		
8283	ISX 870 HHP	150mm	N/A	M-4376174	M-4955591	R-4088665
		152mm	N/A	M-4376428		

NOTE: The In-Frame kit numbers specified here are for use in engines that were originally built with one piece steel pistons or those that have been already updated to one piece steel pistons. These kits do not include connecting rods.

ISX-QSX-X15 CPL LISTING

CPL #	MODEL	Liner OD	IN-FRAME KIT Non-APR	APR IN-FRAME KIT (In Development)	LOWER GASKET SET	FUEL INJECTOR
8284	ISX 870 HHP	150mm	N/A	M-4376174	M-4955591	R-4088665
		152mm	N/A	M-4376428		
8285	ISX 870 HHP	150mm	N/A	M-4376174	M-4955591	R-4088665
		152mm	N/A	M-4376428		
8286	ISX 870 HHP	150mm	N/A	M-4376174	M-4955591	R-4088665
		152mm	N/A	M-4376428		
8287	ISX 870	150mm	N/A	M-4376175	M-4955591	R-4088665
		152mm	N/A	M-5405988		
8288	ISX 870	150mm	N/A	M-4376175	M-4955591	R-4088665
		152mm	N/A	M-5405988		
8469	QSX15	150mm	M-4352288	In Development	M-4955590	R-4062569
8518	ISX 870 HHP	150mm	N/A	M-4376174	M-4955591	R-4088665
		152mm	N/A	M-4376428		
8519	ISX 870 HHP	150mm	N/A	M-4376174	M-4955591	R-4088665
		152mm	N/A	M-4376428		
8520	ISX 870	150mm	N/A	M-4376175	M-4955591	R-4088665
		152mm	N/A	M-5405988		
8521	ISX 870 HHP	150mm	N/A	M-4376174	M-4955591	R-4088665
		152mm	N/A	M-4376428		
8522	ISX 870 HHP	150mm	N/A	M-4376174	M-4955591	R-4088665
		152mm	N/A	M-4376428		
8523	ISX 870	150mm	N/A	M-4376175	M-4955591	R-4088665
		152mm	N/A	M-5405988		
8571	QSX15	150mm	M-4352288	In Development	M-4955590	R-4062569
8587	QSX15	150mm	M-4352288	In Development	M-4955590	R-4062569
8588	QSX15-C440	150mm	M-4352288	In Development	M-4955590	R-4062569
8660	ISX 07	150mm	N/A	M-4376174	M-4955591	R-4088665
		152mm	N/A	M-4376428		
8760	QSX 07	150mm	M-4352291	In Development	M-4955590	R-4928260
8761	QSX 07	150mm	M-4352291	In Development	M-4955590	R-4928260
8762	QSX 07	150mm	M-4352291	In Development	M-4955590	R-4928262
8764	QSX 07	150mm	M-4352291	In Development	M-4955590	

NOTE: The In-Frame kit numbers specified here are for use in engines that were originally built with one piece steel pistons or those that have been already updated to one piece steel pistons. These kits do not include connecting rods.

ISX-QSX-X15

IN-FRAME ENGINE KITS

Model	Piston	Skirt Type	Top Ring Location	Top Land Diameter	Liner OD Size	In-Frame Engine Kit	Scraper Ring In-Frame Kit
ISX CM570	2863938	Closed	High	Large	150mm	N/A	M-4376171
					152mm		M-4376429
	2863939	Closed	High	Large	150mm	N/A	M-4376172
					152mm		N/A
	2882635	Closed	High	Reduced	150mm	N/A	M-4376171
					152mm		M-4376429
	2882636	Closed	High	Reduced	150mm	N/A	M-4376172
					152mm		N/A
QSX CM570	3104186	Open	High	Large	150mm	M-4352291	IN DEVELOPMENT
					152mm	N/A	
	4298991	Open	High	Reduced	150mm	M-4352291	
					152mm	N/A	
	4298992	Open	High	Reduced	150mm	M-4352288	
					152mm	N/A	
	4923744	Open	High	Large	150mm	M-4352288	
					152mm	N/A	
ISX CM870 CM871	2882630	Closed	High	Reduced	150mm	N/A	M-4376175
					152mm		M-5405988
	2882631	Closed	High	Reduced	150mm	N/A	M-4376174
					152mm		M-4376428
	3684467	Closed	High	Large	150mm	N/A	M-4376174
					152mm		M-4376428
	3684472	Closed	High	Large	150mm	N/A	M-4376175
					152mm		M-5405988
ISX15 QSX15 CM2250 CM2350	3686366	Closed	Low	Large	150mm	N/A	M-5473065
					152mm		M-5473066
	3687177	Closed	Low	Large	150mm	N/A	M-5473069
					152mm		M-5473070
	3687605	Closed	Low	Large	150mm	N/A	M-5473074
					152mm		M-5473075
	3687897	Closed	Low	Reduced	150mm	N/A	M-5473074
					152mm		M-5473075
	3688099	Closed	Low	Reduced	150mm	N/A	M-5473065
					152mm		M-5473066
	3688100	Closed	Low	Reduced	150mm	N/A	M-5473069
					152mm		M-5473070
	3688405	Closed	Low	Reduced	150mm	N/A	M-5473074
					152mm		M-5473075

All manufacturer's names, symbols and descriptions are used for reference only and it is not implied that any part is the product of these manufacturers.

ISX-QSX-X15

RE-RING ENGINE KITS - TWIN CAM MODELS

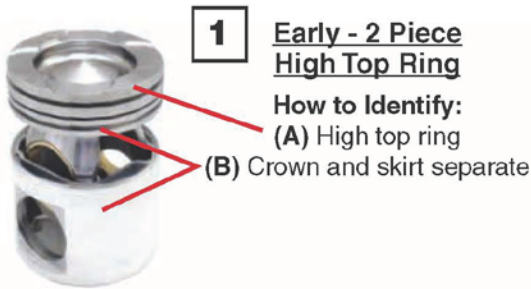
Part #	Qty	Description	Note
MCB4025214	1	Inframe Kit - Re-Ring - 2pc Articulated	150mm Non-APR
MCB4309389-2	1	Inframe Kit - Re-Ring - 1pc Steel	150mm Non-APR
MCB4376392-2	1	Inframe Kit - Re-Ring - 1pc Steel	152mm Non-APR with loose shim
MCB4309389-1	1	Inframe Kit - Re-Ring - 1pc Steel	150mm Non-APR with EGR
MCB4376392-1	1	Inframe Kit - Re-Ring - 1pc Steel	152mm Non-APR with EGR
MCB4376168-1	1	Inframe Kit - Re-Ring - 1pc Steel	150mm APR
MCB4376391-1	1	Inframe Kit - Re-Ring - 1pc Steel	152mm APR with loose shim

RE-RING ENGINE KITS - SINGLE CAM MODELS

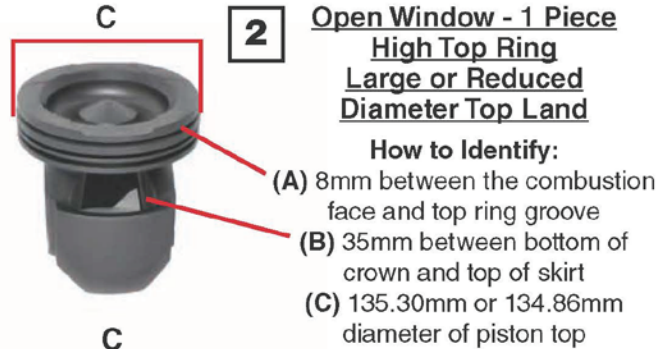
Part #	Qty	Description	Note
MCB4309389	1	Inframe Kit - Re-Ring - 1pc Steel - HPCR	150mm Non-APR
MCB4376392	1	Inframe Kit - Re-Ring - 1pc Steel - HPCR	152mm Non-APR with loose shim
MCB4376168	1	Inframe Kit - Re-Ring - 1pc Steel - HPCR	150mm APR
MCB4376391	1	Inframe Kit - Re-Ring - 1pc Steel - HPCR	152mm APR with loose shim



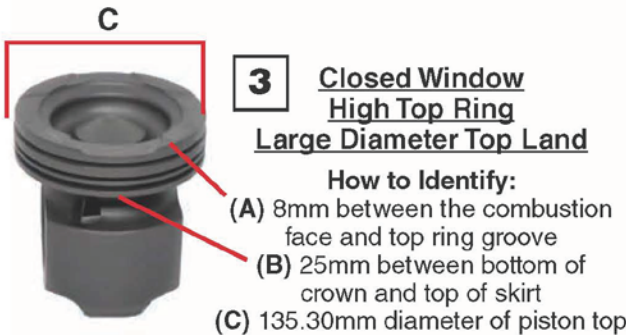
Piston Progression



1 Early - 2 Piece High Top Ring
How to Identify:
 (A) High top ring
 (B) Crown and skirt separate



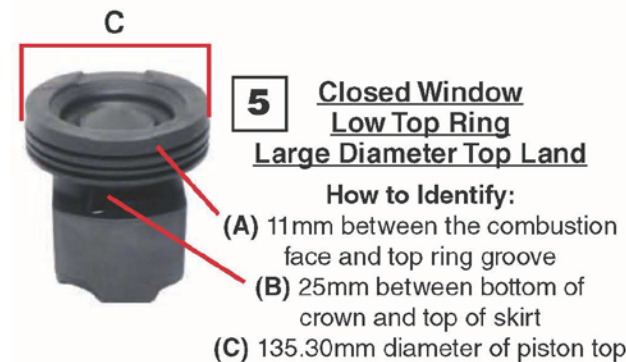
2 Open Window - 1 Piece High Top Ring Large or Reduced Diameter Top Land
How to Identify:
 (A) 8mm between the combustion face and top ring groove
 (B) 35mm between bottom of crown and top of skirt
 (C) 135.30mm or 134.86mm diameter of piston top



3 Closed Window High Top Ring Large Diameter Top Land
How to Identify:
 (A) 8mm between the combustion face and top ring groove
 (B) 25mm between bottom of crown and top of skirt
 (C) 135.30mm diameter of piston top



4 Closed Window High Top Ring Reduced Diameter Top Land
How to Identify:
 (A) 8mm between the combustion face and top ring groove
 (B) 25mm between bottom of crown and top of skirt
 (C) 134.86mm diameter of piston top



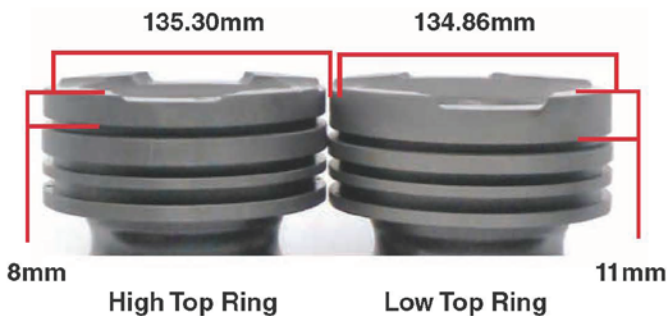
5 Closed Window Low Top Ring Large Diameter Top Land
How to Identify:
 (A) 11mm between the combustion face and top ring groove
 (B) 25mm between bottom of crown and top of skirt
 (C) 135.30mm diameter of piston top



6 Closed Window Low Top Ring Reduced Diameter Top Land
How to Identify:
 (A) 11mm between the combustion face and top ring groove
 (B) 25mm between bottom of crown and top of skirt
 (C) 134.86mm diameter of piston top

**Please note: Piston types cannot be mixed in the same engine. Mixing piston types will lead to catastrophic engine failure.

Top Ring Identification



Window Identification



Cylinder Liner Progression

<p>1 <u>150mm Grooved Liner</u></p> <p>How to Identify: (A) Deep groove in top of liner (B) No groove(s) at the bottom edge of outer liner</p>	<p>2 <u>150mm or 152mm Flat Top Liner</u></p> <p>How to Identify: (A) No Integral Shim at mid-stop point (B) No groove(s) at the bottom edge of outer liner</p>
<p>3A <u>150mm Flat Top Liner w/Integral Shim</u></p> <p>How to Identify: (A) Integral Shim (B) 150mm diameter at mid-stop band (C) Single groove at the bottom edge of outer liner</p>	<p>3B <u>152mm Flat Top Liner w/Loose Shim</u></p> <p>How to Identify: (A) No Integral Shim at mid-stop point (B) 152mm diameter at mid-stop band (C) Single groove at the bottom edge of outer liner</p>
<p>4A <u>150mm Flat Top Liner w/Integral Shim & Scraper Ring</u></p> <p>How to Identify: (A) Integral Shim (B) 150mm diameter at mid-stop band (C) Double groove at the bottom edge of outer liner</p>	<p>4B <u>152mm Flat Top Liner w/Loose Shim & Scraper Ring</u></p> <p>How to Identify: (A) No Integral Shim at mid-stop point (B) 152mm diameter at mid-stop band (C) Double groove at the bottom edge of outer liner</p>

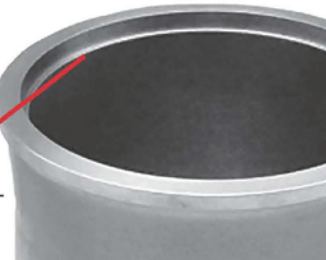
Current update:

The current update refers to the introduction of the carbon scraper ring cylinder liner commonly known as an APR (Anti-Polishing Ring) liner. This liner contains a counter bore at the top in which a removable steel ring is inserted to remove the carbon from the sides of the piston preventing it from contact with the liner walls.

Flat Top Liner
No Counter Bore



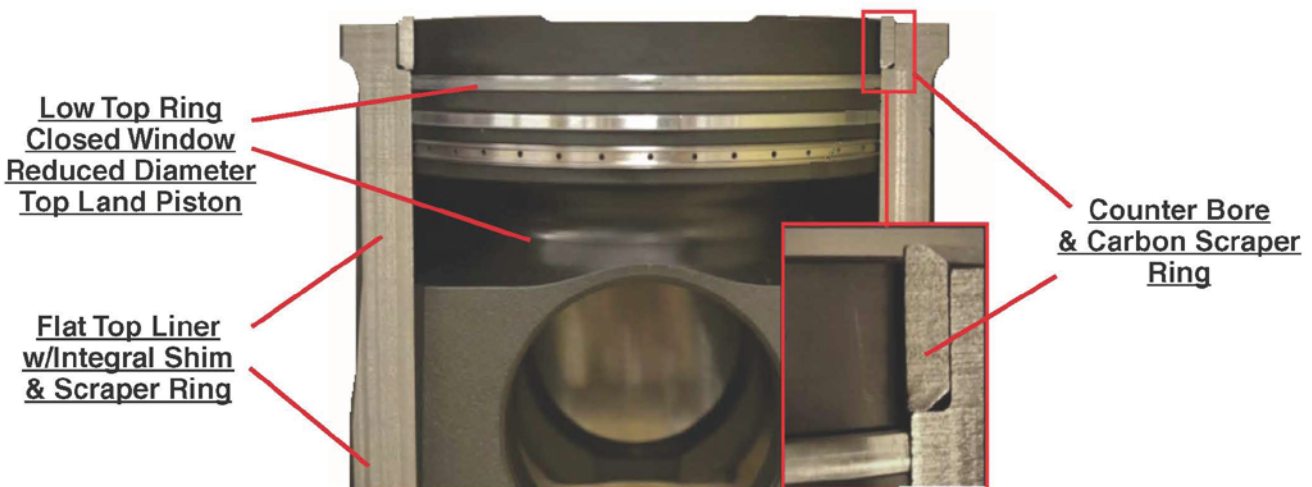
Scraper Ring Liner
Counter Bore



Power Cylinder Update

Current Power Cylinder components incorporate the use of a Carbon Scraper Ring cylinder liner commonly known as an APR (Anti-Polishing Ring) liner and a Low Top Ring, Reduced Diameter Top Land Piston. The liner contains a counter bore at the top in which a removable steel ring is inserted. This ring scrapes the carbon from the sides of the piston and aids in reducing carbon polishing of the cylinder liner walls.

The Carbon Scraper Liner is designed to only be used with Low Top Ring and Reduced Diameter Pistons. These improvements are designed to aid in decreasing oil consumption, oil filter flow and DPF regeneration.



Compatibility Cylinder Liner – Piston – Connecting Rod

- Open Skirt Pistons cannot be used with Carbon Scraper Ring (APR) Cylinder Liners.
- High Top Ring Pistons cannot be used with Carbon Scraper Ring (APR) Cylinder Liners.
- Carbon Scraper Ring Cylinder Liners must use a Closed Window, Reduced Diameter, Low Top Ring Pistons
- All six cylinder liners installed must be of the same type.
- Liner Shims must be replaced with new shims upon installation.
- Service Tool 5299448 is required for Scraper Ring Liner piston installation.
- All one piece pistons require drilled connecting rods and drilled bearings.
- Machined (saw cut) connecting rods and fractured-split connecting rods require different bearings which are not interchangeable.



INTERSTATE-McBEE



ISX-QSX-X15

CYLINDER COMPONENTS

Part #	Qty	Description	Note
M-2881758	6	Piston Kit APR - X15 Tier 4	3688099 body
M-2881873	6	Piston Kit - ISX1 / ISX2	2882635 body
M-2881876	6	Piston Kit - ISX3 / Signature	2882636 body
M-2882023	6	Piston Kit APR - X15 Tier 4	3688100 body
M-2882080	6	Piston Kit APR - X15 Tier 4	3687897 body
M-2882118	6	Piston Kit - QSX Tier 3	4298991 body
M-2882120	6	Piston Kit - QSX Tier 2	4298992 body
M-4376241	6	Piston Kit APR - ISX 570	4357150 body
M-4376242	6	Piston Kit APR - ISX 570 - HHP	4367126 body
M-4376243	6	Piston Kit APR - ISX 870/1	4367161 body
M-4376244	6	Piston Kit APR - ISX 870/1 - HHP	4357173 body
M-4309442	6	Piston Ring Set	2pc Articulated piston
M-4309441	6	Piston Ring Set	1pc Steel piston (5405717)
M-2881756	6	Piston Ring Set	ISX15 HPCR (5405718,4376565)
M-3689296	6	Piston Pin	1pc Steel piston
M-3064305	12	Piston Pin Retainer	
M-3800453	N/A	Cylinder Liner Kit - Grooved Top	Obsolete - Not available
M-4089153	N/A	Cylinder Liner Kit - Non-APR	150mm - Obsolete use 4309389
M-4309389	6	Cylinder Liner Kit - Non-APR	150mm w/ Integral Shim (4376430)
M-4376168	6	Cylinder Liner Kit - APR	150mm w/ Integral Shim (5472970)
M-4376392	6	Cylinder Liner Kit - Non-APR	152mm w/ Loose Shim
M-4376391	6	Cylinder Liner Kit - APR	152mm w/ Loose Shim (5473000)
M-3678738	6	Cylinder Liner Seal Ring	150mm - Pink
M-3685234	6	Cylinder Liner Seal Ring	152mm - Blue
M-3687058	6	Piston Cooling Nozzle	1pc Piston (Liner located type)
M-4059429	6	Connecting Rod	Drilled machined rod
M-3678574	24	--Connecting Rod Bolt	Machined rod
M-3689108	6	Connecting Rod	Fractured rod
M-3678574	24	--Connecting Rod Bolt	Fractured rod
M-5298564	AR	Counterbore Shim - .020"	Ref #2892402
M-5298565	AR	Counterbore Shim - .032"	Ref #2892403

CAUTION: The Interstate-McBee piston kits above must be used in full engine sets and cannot be mixed in an engine.

ISX-QSX-X15

ENGINE BEARINGS

Part #	Qty	Description	Note
M-4089405	6	Connecting Rod Bearing - STD	Drilled machined Rod
M-4090016	6	Connecting Rod Bearing - .25mm	
M-4090017	6	Connecting Rod Bearing - .50mm	
M-2882087	6	Connecting Rod Bearing - STD	Fractured rod
M-4376360	6	Connecting Rod Bearing - .25mm	
M-4376361	6	Connecting Rod Bearing - .50mm	
M-4089139	6	Connecting Rod Bearing - STD	Non-Drilled rod ONLY
M-3800298	1	Main Bearing Set - STD	(5406110)
M-4089845	1	Main Bearing Set - .25mm	(5406111)
M-4089846	1	Main Bearing Set - .50mm	(5406112)
MCB7107	1	Camshaft Bushing Kit - STD	Twin-Cam
--M-3680580	4	--Injector Camshaft Bushing	
--M-3680581	3	--Injector Camshaft Bushing	
--M-4026423	7	--Valve Camshaft Bushing	
MCB7108	1	Camshaft Bushing Kit - 1.0mm	Twin-Cam
--MCB7105	4	--Injector Camshaft Bushing	
--MCB7106	3	--Injector Camshaft Bushing	
--MCB7114	7	--Valve Camshaft Bushing	
M-4026423	7	Valve Camshaft Bushing - STD	Single-Cam (3685690)
MCB7114	7	Valve Camshaft Bushing - 1.0mm	
M-4059448	6	Connecting Rod Bushing	Drilled machined rod
M-2882581	6	Connecting Rod Bushing	Fractured rod

CYLINDER BLOCK

Part #	Qty	Description	Note
M-3015865	4	Expansion Plug	
M-3007632	2	Expansion Plug	
M-3901846	2	Dowel Pin	
M-3678506	14	Main Cap Bolt	

ISX-QSX-X15

GASKET SETS

Part #	Qty	Description	Note
M-4352144	1	Upper Gasket Set	Non-EGR engines
M-4352145	1	Upper Gasket Set	EGR engines
M-4376104	1	Upper Gasket Set	ISX HPCR engines
M-4376220	1	Upper Gasket Set	QSX HPCR engines
M-4955590	1	Lower Gasket Set	Non-EGR engines
M-4955591	1	Lower Gasket Set	EGR engines
M-2881766	1	Lower Gasket Set	ISX HPCR engines
M-4376221	1	Lower Gasket Set	QSX HPCR engines
MCBISX0007	1	Gear Cover Gasket Set - HPI	
MCBISX0017	1	Gear Cover Gasket Set - MCRS	
MCBISX0027	1	Gear Cover Gasket Set - HPI	Includes housing to block gasket
MCBISX0037	1	Gear Cover Gasket Set - MCRS	Includes housing to block gasket
M-4025062	6	HPI Injector O-Ring Kit	External seals
MCBISXINJ-1	6	HPI Injector O-Ring Kit	External seals & screens
M-4025063	1	HPI Injector Seal Kit	O-rings, seal & retainer pin
M-4025063-OH	1	HPI Injector Seal - O/H Kit	O-rings, seal, retainer pin & screens
MCBISXINJ-2	6	HPCR Injector O-Ring Kit	External seals
MCBISX005	1	Turbocharger Gasket Set	Automotive - general coverage
M-4022516	1	Turbocharger Gasket Set	ISX/QSX w/ HX60W turbocharger
MCBISX0015	1	EGR Supplemental Gasket Set	HPI engines

CRANKSHAFT SEALS & DAMPER

Part #	Qty	Description	Note
M-4925762	1	Crankshaft Assembly	w/Gear, tone wheel & adaptor
M-4955383	1	Front Seal Kit	
M-4965569	1	Rear Seal Kit	
M-4101884	A/R	Vibration Damper	1 or 2 per unit

ISX-QSX-X15

FLYWHEEL HOUSING

Part #	Qty	Description	Note
M-3102196	1	Flywheel Housing	
M-4965688	1	Flywheel Housing Gasket	To cylinder block
M-3026134	1	Flywheel Housing Gasket	Access cover

CYLINDER HEAD COMPONENTS TWIN CAM

Part #	Qty	Description	Note
M-4965868	12	Intake Valve	
M-3685996	12	Intake Valve	
M-3104445	12	Intake Valve Seat	
M-4101454	12	Exhaust Valve	
M-3679537	12	Exhaust Valve Seat	ISX570 / QSX570 / Power Gen
M-3679659	12	Exhaust Valve Seat	ISX870 / QSX07
M-3680883	48	Valve Lock	
M-4026657	24	Valve Guide	
M-4312008	N/A	Valve Stem Seal - Int & Exh	Use 4356366
M-4356366	24	Valve Stem Seal - Int & Exh	"Top Hat" design
M-3679551	24	Valve Spring	
M-3680884	24	Valve Spring Retainer	
M-3679487PR	12	Pin & Roller Kit - Valve Rocker	14mm
--M-3679487	12	--Pin	
--M-3679336	12	--Roller	
--M-3679504	12	--Lock Pin	
M-4026780PR	6	Pin & Roller Kit - Valve Rocker	15mm - Intake Front / Exhaust Rear
--M-4319030	6	--Pin	
--M-4059322	6	--Roller	
--M-3679504	6	--Lock Pin	
M-4026779PR	6	Pin & Roller Kit - Valve Rocker	15mm - Intake Rear / Exhaust Front
--M-4319029	6	--Pin	
--M-4059322	6	--Roller	
--M-3679504	6	--Lock Pin	
M-4319030PR	6	Pin & Roller Kit - Valve Rocker	17mm - Intake Front / Exhaust Rear
--M-4319030	6	--Pin	
--M-4319026	6	--Roller	
--M-3679504	6	--Lock Pin	

ISX-QSX-X15

CYLINDER HEAD COMPONENTS TWIN CAM (cont.)

Part #	Qty	Description	Note
M-4319029PR	6	Pin & Roller Kit - Valve Rocker	17mm - Intake Rear / Exhaust Front
--M-4319029	6	--Pin	
--M-4319026	6	--Roller	
--M-3679504	6	--Lock Pin	
M-4312003PR	6	Pin & Roller Kit - Injector Rocker	
--M-4312003	6	--Pin	
--M-4319027	6	--Roller	
--M-3679504	6	--Lock Pin	
MCB3680873	6	Injector Tube Kit	Includes seal
--M-3680873	6	--Injector Sleeve	
--M-3678536	6	--Injector Seal Ring	
MCB7141	6	Injector Sleeve - Optional	Copper alloy
M-3678536	6	Injector Seal Ring	
MCB7107	1	Camshaft Bushing Kit - STD	Twin-Cam
--M-3680580	4	--Injector Camshaft Bushing	
--M-3680581	3	--Injector Camshaft Bushing	
--M-4026423	7	--Valve Camshaft Bushing	
MCB7108	1	Camshaft Bushing Kit - 1.0mm	Twin-Cam
--MCB7105	4	--Injector Camshaft Bushing	
--MCB7106	3	--Injector Camshaft Bushing	
--MCB7114	7	--Valve Camshaft Bushing	
M-3015865	7	Expansion Plug	
M-3813247	21	Expansion Plug	
M-3901846	2	Dowel Pin	
M-3678506	22	Cylinder Head Bolt	
M-3678804	4	Cylinder Head Bolt	
M-4026507	1	Valve Cover Gasket	
M-3104392	1	Valve Cover Gasket	ISX07 - Groove in cover
M-4026511	8	Valve Cover Noise Isolator	ISX/QSX15
M-3100895	8	Valve Cover Noise Isolator	ISX/QSX15
M-3104388	8	Valve Cover Noise Isolator	ISX07

ISX-QSX-X15

CYLINDER HEAD COMPONENTS SINGLE CAM ISX2010 HPCR

Part #	Qty	Description	Note
M-3685996	12	Intake Valve	
M-3104445	12	Intake Valve Seat	
M-4101454	12	Exhaust Valve	
M-3679659	12	Exhaust Valve Seat	
M-3680883	48	Valve Lock	
M-4026657	24	Valve Guide	
M-4356366	24	Valve Stem Seal - Int & Exh	"Top Hat" design
M-3679551	24	Valve Spring	
M-3680884	24	Valve Spring Retainer	
M-4319030PR	6	Pin & Roller Kit - Valve Rocker	17mm - Intake Front / Exhaust Rear
M-4319029PR	6	Pin & Roller Kit - Valve Rocker	17mm - Intake Rear / Exhaust Front
MCB7243	6	Injector Tube Kit	Tube, retainer & seal
M-4026423	7	Valve Camshaft Bushing - STD	
MCB7114	7	Valve Camshaft Bushing - 1.0mm	
M-3678506	22	Cylinder Head Bolt	
M-3678804	4	Cylinder Head Bolt	
M-3104392	1	Valve Cover Gasket	
M-3104388	8	Valve Cover Noise Isolator	

LUBRICATION SYSTEM

Part #	Qty	Description	Note
M-4309499	1	Lube Oil Pump Assy	QSX cast iron
M-2881757	1	Lube Oil Pump Assy	ISX aluminum
M-5532492	1	Lube Oil Pump Assy	Cast iron
M-3800751	1	Shim Kit	
M-2892304	AR	Oil Cooler Core	63mm 10-plate stainless steel
M-4966084	2	Oil Cooler O-Ring Seal	
M-4952629	1	Oil Cooler Thermostat	235°F
M-4952631	1	Oil Cooler Thermostat	215°F
M-4955778	1	Oil Cooler Installation Kit	
M-4965482	AR	Oil Cooler Core	83mm 13-plate stainless steel
M-4966084	2	Oil Cooler O-Ring Seal	
M-4952629	1	Oil Cooler Thermostat	235°F
M-4952631	1	Oil Cooler Thermostat	215°F

All manufacturer's names, symbols and descriptions are used for reference only and it is not implied that any part is the product of these manufacturers.

ISX-QSX-X15

COOLING SYSTEM

Part #	Qty	Description	Note
M-4318946	1	Thermostat - 160°F	ISX02 & up
M-4318947	1	Thermostat - 180°F	ISX02 & up
M-4318946	2	Thermostat - 160°F	ISX1/2
M-4336659	2	Thermostat - 180°F	ISX1/2
M-186780	A/R	Thermostat Seal	
M-4089908	1	Water Pump Assembly - 1-Piece	ISX 1&2 - 10 groove pulley (5473366)
M-4089909	1	Water Pump Assembly - 1-Piece	QSX15 (5473363)
M-4089910	1	Water Pump Assembly - 1-Piece	ISX02 / 870 - 12 groove pulley (5473364)
M-3684449	1	Water Pump Assembly - 2-Piece	ISX871 / 2250 EGR
M-3687130	1	Water Pump Assembly - 2-Piece	ISX871 / 2250 EGR - (4386570)
M-3684450	1	Water Pump Cartridge	Cartridge only (4386576)
M-3684384	1	Water Pump Cartridge Seal Ring	
M-4090022	1	Water Pump Minor Repair Kit	Snap ring, impeller cover & O-rings
M-3678724	1	Water Pump O-Ring	Included in M-4090022
M-3680410	1	Water Pump Cover	Included in M-4090022

HPI FUEL INJECTORS

Part #	Qty	Description	Note
R-4010292	6	Fuel Injector - Reman	ISX1/ ISX2 / 400 / 450
R-4062567	6	Fuel Injector - Reman	ISX1 / ISX2 / 450 ST2
R-4062568	6	Fuel Injector - Reman	ISX3 / Signature / 600 / 565
R-4062569	6	Fuel Injector - Reman	ISX1 / ISX2 / QSX15 / QSX15-C440
R-4088301	6	Fuel Injector - Reman	ISX1 / ISX2 ISX500/475 ST2
R-4088327	6	Fuel Injector - Reman	ISX1 / ISX2
R-4088665	6	Fuel Injector - Reman	ISX 07 / ISX2 / ISX3 EGR / ISX 870/HHP
R-4928260	6	Fuel Injector - Reman	QSX 07
R-4928262	6	Fuel Injector - Reman	QSX 07
R-4954434	6	Fuel Injector - Reman	ISX 07
R-4954888	6	Fuel Injector - Reman	ISX 07

SEE CPL MATRIX FOR EXACT APPLICATIONS

ISX-QSX-X15

FUEL SYSTEM

Part #	Qty	Description	Note
M-4024808	1	Fuel Solenoid Kit	
M-3417141	6	Injector Follower Spring	HPI Injectors
M-4025062	6	Injector O-Ring Kit	External seals (Ref p/n MCBISXINJ)
MCBISXINJ-1	6	Injector Screen Kit	External screens
M-4025063	A/R	Injector Seal Kit	Seals, retaining pins, dust seal
M-4025063-OH	A/R	Injector Seal - O/H Kit	Seals, retaining pins, dust seal & screens
MCBISXINJ-2	6	Injector O-Ring Kit	External seals - HPCR engines
M-4089431RK	1	Gear Pump Repair Kit	HPI fuel system

ENGINE CONTROL SYSTEM

Part #	Qty	Description	Note
M-3680284	1	ECM Isolator/Gasket	CM570
M-3682577	1	ECM Isolator/Gasket	CM870
M-4076493	1	Sensor - Pressure	Ambient Air
M-4921473	1	Sensor - Press/Temp	Intake Manifold
M-4921475	1	Sensor - Press/Temp	Oil
M-4921495	1	Sensor - Pressure	Fuel
M-4921499	1	Sensor - Pressure	Fuel
M-4921599	2	Sensor - Position	Camshaft & Crankshaft
M-4954905	1	Sensor - Temperature	Coolant/Oil/Fuel

EXHAUST SYSTEM

Part #	Qty	Description	Note
M-4965698	12	Exhaust Manifold Bolt	
M-4965512	12	Exhaust Manifold Spacer	
MCBISX009	1	Exhaust Hardware Kit	ISX/QSX CM570 - ISX CM2250
MCBISX019	1	Exhaust Hardware Kit	ISX CM870 / CM871

AFTERTREATMENT COMPONENTS

Part #	Qty	Description	Note
M-2871863	A/R	V-Band Clamp	13" diameter Aftertreatment Models
M-2871453	A/R	Aftertreatment Gasket	
M-2880215	A/R	Gasket - Inlet / Outlet Connection	6.25" O.D.
M-2866337	A/R	Gasket - Inlet / Outlet Connection	5.75" O.D.
MCBISX019	1	Exhaust Hardware Kit	ISX CM870 / CM871

ISX-QSX-X15

GASKETS - ISX/QSX HPI

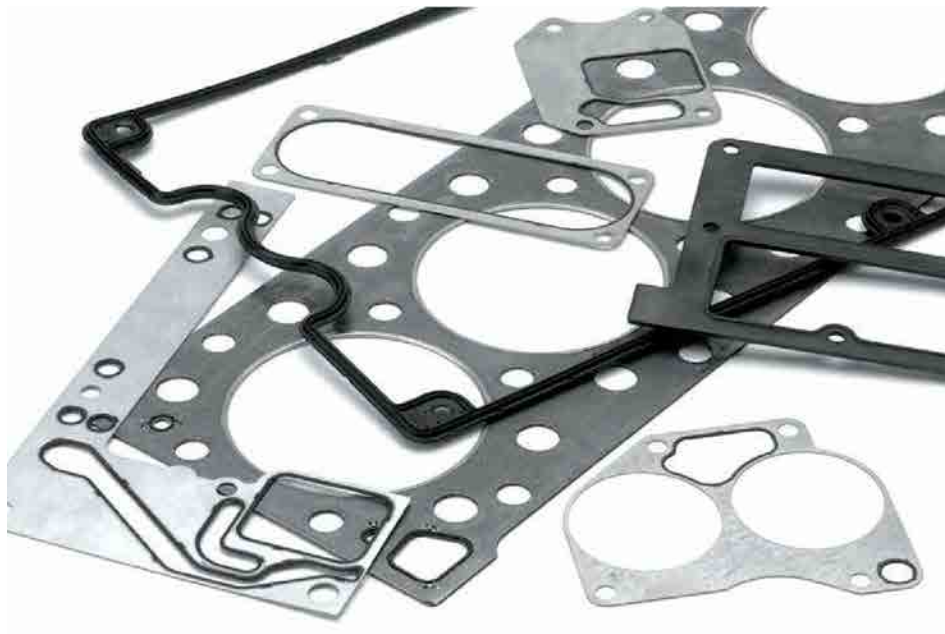
Part #	Qty	Description	Note
M-4965690	1	Air Comp. Mounting Gasket	
M-3680284	1	ECM Isolator/Gasket	CM570
M-3682577	1	ECM Isolator/Gasket	CM870/871
M-3682066	1	EGR Mixer Seal	
M-3682177	1	EGR Mixer Seal	
M-4907448	1	Exhaust Manifold Gasket	Composite
M-4907447	4	Exhaust Manifold Gasket	Composite
M-3682940	1	Exhaust Manifold Gasket	ISX02/07 - Steel
M-3682710	4	Exhaust Manifold Gasket	ISX02/07 (5486657) - Steel
M-4965688	1	Flywheel Housing Gasket	To cylinder block (4393176)
M-3026134	1	Flywheel Housing Gasket	Access cover
M-4962721	1	Front Cover Seal Strip	Upper
M-4962722	1	Front Cover Seal Strip	Lower
M-2872195	1	Fuel Pump Mounting Gasket	
M-3867481	1	Fuel Pump Mounting Seal	
M-4985562	1	Gear Housing Gasket	To cylinder block
M-3678770	1	Intake Connection Gasket	
M-3066211	1	Intake Connection Seal	
M-3033247	1	Intake Connection Seal	ISX02/07
M-4973532	4	Oil Cooler Core Gasket	
M-4955592	1	Oil Cooler Housing Gasket	(4376196)
M-3678606	1	Oil Pan Drain Plug Seal	
M-4026684	1	Oil Pan Gasket	
M-3678756	1	Oil Pickup Tube Seal	
M-3680602	1	Thermostat Cover Gasket	
M-3682673	1	Thermostat Cover Gasket	ISX02/07



ISX-QSX-X15

GASKETS - ISX/QSX HPI (cont.)

Part #	Qty	Description	Note
M-3684336	1	Thermostat Housing Gasket	
M-3678602	2	Thermostat Housing O-Ring	
M-186780	2	Thermostat Seal	
M-186780	1	Thermostat Seal	ISX02/07
M-3680324	1	Turbo Flange Gasket	
M-3101268	1	Turbo Flange Gasket	ISX02/07
M-4026884	1	Turbo Mounting Gasket	
M-3102314	1	Turbo Mounting Gasket	ISX02/07
M-3679139	1	Turbo Oil Supply O-Ring	
M-3066211	1	Turbo Outlet Seal	
M-3682177	1	Turbo Outlet Seal	ISX02
M-4026507	1	Valve Cover Gasket	
M-3104392	1	Valve Cover Gasket	ISX07 - grooved cover
M-3679937	1	Valve Cover Gasket	
M-3678724	1	Water Pump O-Ring	
M-3684384	1	Water Pump O-Ring	Cartridge to pump housing
M-4059172	1	Water Pump O-Ring	
M-3683814	2	Water Pump O-Ring	EGR coolant tube



ISX-QSX-X15

GASKETS - ISX15 HPCR

Part #	Qty	Description	Note
M-3685614	1	Air Comp. Mounting Gasket	
M-4907448	1	Exhaust Manifold Gasket	CM2250 - Composite
M-4907447	4	Exhaust Manifold Gasket	CM2250 - Composite
M-3682940	1	Exhaust Manifold Gasket	CM2350 - Steel
M-3682710	4	Exhaust Manifold Gasket	CM2350 (5486657) - Steel
M-4965688	1	Flywheel Housing Gasket	To cylinder block (4393176)
M-3026134	1	Flywheel Housing Gasket	Access cover
M-3687007	1	Front Cover Seal Strip	
M-3686758	1	Fuel Pump Mounting Gasket	(5414049)
M-4393089	1	Gear Housing Gasket	To cylinder block
M-3033247	1	Intake Connection Seal	
M-3688347	1	Intake Manifold Gasket	
M-4973532	2	Oil Cooler Core Gasket	
M-3104232	1	Oil Cooler Housing Gasket	(3689755)
M-3678606	1	Oil Pan Drain Plug Seal	
M-4026684	1	Oil Pan Gasket	
M-3678756	1	Oil Pickup Tube Seal	
M-3682673	1	Thermostat Cover Gasket	
M-3684336	1	Thermostat Housing Gasket	
M-186780	1	Thermostat Seal	
M-3685535	1	Turbo Mounting Gasket	(3695041)
M-3679139	1	Turbo Oil Supply O-Ring	
M-5264570	1	Turbo Drain Gasket	
M-3104392	1	Valve Cover Gasket	
M-3678724	1	Water Pump O-Ring	
M-4059172	1	Water Pump O-Ring	
M-3683814	2	Water Pump O-Ring	EGR coolant tube



ISX-QSX-X15

INDEX

Part #	Description	Page #
2863938	Piston	10
2863939	Piston	10
2882630	Piston	10
2882631	Piston	10
2882635	Piston	10
2882636	Piston	10
3104186	Piston	10
3684467	Piston	10
3684472	Piston	10
3686366	Piston	10
3687177	Piston	10
3687605	Piston	10
3687897	Piston	10
3688099	Piston	10
3688100	Piston	10
3688405	Piston	10
4298991	Piston	10
4298992	Piston	10
4923744	Piston	10
M-186780	Thermostat Seal	24, 25
M-2866337	Gasket - Inlet / Outlet Connection	22
M-2871453	Aftertreatment Gasket	22
M-2871863	V-Band Clamp	22
M-2872195	Fuel Pump Mounting Gasket	23
M-2880215	Gasket - Inlet / Outlet Connection	22
M-2881756	Piston Ring Set	15
M-2881757	Lube Oil Pump Assy	20
M-2881758	Piston Kit APR - X15 Tier 4	15
M-2881766	Lower Gasket Set	6, 7, 17
M-2881873	Piston Kit - ISX1 / ISX2	15
M-2881876	Piston Kit - ISX3 / Signature	15
M-2882023	Piston Kit APR - X15 Tier 4	15
M-2882080	Piston Kit APR - X15 Tier 4	15
M-2882087	Connecting Rod Bearing - STD	16
M-2882118	Piston Kit - QSX Tier 3	15
M-2882120	Piston Kit - QSX Tier 2	15
M-2882581	Connecting Rod Bushing	16
M-2892304	Oil Cooler Core	20
M-3007632	Expansion Plug	16

Part #	Description	Page #
M-3015865	Expansion Plug	16, 19
M-3026134	Flywheel Housing Gasket	18, 23, 25
M-3033247	Intake Connection Seal	23, 25
M-3064305	Piston Pin Retainer	15
M-3066211	Turbo Outlet Seal	23, 24
M-3100895	Valve Cover Noise Isolator	19
M-3101268	Turbo Flange Gasket	24
M-3102196	Flywheel Housing	18
M-3102314	Turbo Mounting Gasket	24
M-3104232	Oil Cooler Housing Gasket	25
M-3104388	Valve Cover Noise Isolator	19, 20
M-3104392	Valve Cover Gasket	19, 20, 24, 25
M-3104445	Intake Valve Seat	18, 20
M-3417141	Injector Follower Spring	22
M-3678506	Cylinder Head Bolt	16, 19, 20
M-3678536	Injector Seal Ring	19
M-3678574	Connecting Rod Bolt	15
M-3678602	Thermostat Housing O-Ring	24
M-3678606	Oil Pan Drain Plug Seal	23, 25
M-3678724	Water Pump O-Ring	21, 24, 25
M-3678738	Cylinder Liner Seal Ring	15
M-3678756	Oil Pickup Tube Seal	23, 25
M-3678770	Intake Connection Gasket	23
M-3678804	Cylinder Head Bolt	19, 20
M-3679139	Turbo Oil Supply O-Ring	24, 25
M-3679336	Roller	18
M-3679487	Pin	18
M-3679487PR	Pin & Roller Kit - Valve Rocker	18
M-3679504	Lock Pin	18, 19
M-3679537	Exhaust Valve Seat	18
M-3679551	Valve Spring	18, 20
M-3679659	Exhaust Valve Seat	18, 20
M-3679937	Valve Cover Gasket	24
M-3680284	ECM Isolator/Gasket	22, 23
M-3680324	Turbo Flange Gasket	24
M-3680410	Water Pump Cover	21
M-3680580	Injector Camshaft Bushing	16, 19
M-3680581	Injector Camshaft Bushing	16, 19
M-3680602	Thermostat Cover Gasket	23
M-3680873	Injector Sleeve	19

ISX-QSX-X15

INDEX

Part #	Description	Page #
M-3680883	Valve Lock	18, 20
M-3680884	Valve Spring Retainer	18, 20
M-3682066	EGR Mixer Seal	23
M-3682177	Turbo Outlet Seal	23, 24
M-3682577	ECM Isolator/Gasket	22, 23
M-3682673	Thermostat Cover Gasket	23, 25
M-3682710	Exhaust Manifold Gasket	23, 25
M-3682940	Exhaust Manifold Gasket	23, 25
M-3683814	Water Pump O-Ring	24, 25
M-3684336	Thermostat Housing Gasket	24, 25
M-3684384	Water Pump O-Ring	21, 24
M-3684449	Water Pump Assembly - 2-Piece	21
M-3684450	Water Pump Cartridge	21
M-3685234	Cylinder Liner Seal Ring	15
M-3685535	Turbo Mounting Gasket	25
M-3685614	Air Comp. Mounting Gasket	25
M-3685996	Intake Valve	18, 20
M-3686758	Fuel Pump Mounting Gasket	25
M-3687007	Front Cover Seal Strip	25
M-3687058	Piston Cooling Nozzle	15
M-3687130	Water Pump Assembly - 2-Piece	21
M-3688347	Intake Manifold Gasket	25
M-3689108	Connecting Rod	15
M-3689296	Piston Pin	15
M-3800298	Main Bearing Set - STD	16
M-3800453	Cylinder Liner Kit - Grooved Top	15
M-3800751	Shim Kit	20
M-3813247	Expansion Plug	19
M-3867481	Fuel Pump Mounting Seal	23
M-3901846	Dowel Pin	16, 19
M-4022516	Turbocharger Gasket Set	17
M-4024808	Fuel Solenoid Kit	22
M-4025062	Injector O-Ring Kit	17, 22
M-4025063	Injector Seal Kit	17, 22
M-4025063-OH	Injector Seal - O/H Kit	17, 22
M-4026423	Valve Camshaft Bushing	16, 19, 20
M-4026507	Valve Cover Gasket	19, 24
M-4026511	Valve Cover Noise Isolator	19
M-4026657	Valve Guide	18, 20

Part #	Description	Page #
M-4026684	Oil Pan Gasket	23, 25
M-4026779PR	Pin & Roller Kit - Valve Rocker	18
M-4026884	Turbo Mounting Gasket	24
M-4059172	Water Pump O-Ring	24, 25
M-4059322	Roller	18
M-4059429	Connecting Rod	15
M-4059448	Connecting Rod Bushing	16
M-4076493	Sensor - Pressure	22
M-4089139	Connecting Rod Bearing - STD	16
M-4089153	Cylinder Liner Kit - Non-APR	15
M-4089405	Connecting Rod Bearing - STD	16
M-4089431RK	Gear Pump Repair Kit	22
M-4089845	Main Bearing Set - .25mm	16
M-4089846	Main Bearing Set - .50mm	16
M-4089908	Water Pump Assembly - 1-Piece	21
M-4089909	Water Pump Assembly - 1-Piece	21
M-4089910	Water Pump Assembly - 1-Piece	21
M-4090016	Connecting Rod Bearing - .25mm	16
M-4090017	Connecting Rod Bearing - .50mm	16
M-4090022	Water Pump Minor Repair Kit	21
M-4101454	Exhaust Valve	18, 20
M-4101884	Vibration Damper	17
M-4309389	Cylinder Liner Kit - Non-APR	15
M-4309441	Piston Ring Set	15
M-4309442	Piston Ring Set	15
M-4309499	Lube Oil Pump Assy	20
M-4312003	Pin	19
M-4312003PR	Pin & Roller Kit - Injector Rocker	19
M-4312008	Valve Stem Seal - Int & Exh	18
M-4318946	Thermostat - 160°F	21
M-4318947	Thermostat - 180°F	21
M-4319026	Roller	18, 19
M-4319027	Roller	19
M-4319029	Pin	18, 19

ISX-QSX-X15

INDEX

Part #	Description	Page #
M-4319029PR	Pin & Roller Kit - Valve Rocker	19, 20
M-4319030	Pin	18
M-4319030PR	Pin & Roller Kit - Valve Rocker	18, 20
M-4336659	Thermostat - 180°F	21
M-4352144	Upper Gasket Set	17
M-4352145	Upper Gasket Set	17
M-4352288	In-Frame Engine Kit	5, 8, 9, 10
M-4352291	In-Frame Engine Kit	4, 5, 7, 9, 10
M-4356366	Valve Stem Seal - Int & Exh	18, 20
M-4376104	Upper Gasket Set	17
M-4376168	Cylinder Liner Kit - APR	15
M-4376171	Scraper Ring In-Frame Kit	4, 5, 8, 10
M-4376172	Scraper Ring In-Frame Kit	4, 5, 8, 10
M-4376174	Scraper Ring In-Frame Kit	4, 5, 6, 8, 9, 10
M-4376175	Scraper Ring In-Frame Kit	4, 5, 6, 7, 9, 10
M-4376220	Upper Gasket Set	17
M-4376221	Lower Gasket Set	17
M-4376241	Piston Kit APR - ISX 570	15
M-4376242	Piston Kit APR - ISX 570 - HHP	15
M-4376243	Piston Kit APR - ISX 870/1	15
M-4376244	Piston Kit APR - ISX 870/1 - HHP	15
M-4376360	Connecting Rod Bearing - .25mm	16
M-4376361	Connecting Rod Bearing - .50mm	16
M-4376391	Cylinder Liner Kit - APR	15
M-4376392	Cylinder Liner Kit - Non-APR	15
M-4376427	APR In-Frame Kit	6
M-4376428	Scraper Ring In-Frame Kit	4, 5, 6, 8, 9, 10
M-4376429	Scraper Ring In-Frame Kit	4, 5, 8, 10
M-4393089	Gear Housing Gasket	25
M-4907447	Exhaust Manifold Gasket	23, 25
M-4907448	Exhaust Manifold Gasket	23, 25
M-4921473	Sensor - Press/Temp	22
M-4921475	Sensor - Press/Temp	22
M-4921495	Sensor - Pressure	22

Part #	Description	Page #
M-4921499	Sensor - Pressure	22
M-4925762	Crankshaft Assembly	17
M-4952629	Oil Cooler Thermostat	20
M-4952631	Oil Cooler Thermostat	20
M-4954905	Sensor - Temperature	22
M-4955383	Front Seal Kit	17
M-4955590	Lower Gasket Set	4, 5, 7, 8, 9, 17
M-4955591	Lower Gasket Set	4, 5, 6, 7, 8, 9, 17
M-4955592	Oil Cooler Housing Gasket	23
M-4955778	Oil Cooler Installation Kit	20
M-4962721	Front Cover Seal Strip	23
M-4962722	Front Cover Seal Strip	23
M-4965482	Oil Cooler Core	20
M-4965512	Exhaust Manifold Spacer	22
M-4965569	Rear Seal Kit	17
M-4965688	Flywheel Housing Gasket	18, 23, 25
M-4965690	Air Comp. Mounting Gasket	23
M-4965698	Exhaust Manifold Bolt	22
M-4965868	Intake Valve	18
M-4966084	Oil Cooler O-Ring Seal	20
M-4973532	Oil Cooler Core Gasket	23, 25
M-4985562	Gear Housing Gasket	23
M-5264570	Turbo Drain Gasket	25
M-5298564	Counterbore Shim - .020"	15
M-5298565	Counterbore Shim - .032"	15
M-5405987	APR In-Frame Kit	7
M-5405988	Scraper Ring In-Frame Kit	4, 5, 6, 7, 9, 10
M-5473065	Scraper Ring In-Frame Kit	6, 10
M-5473066	Scraper Ring In-Frame Kit	10
M-5473066	APR In-Frame Kit	6
M-5473069	Scraper Ring In-Frame Kit	10
M-5473069	APR In-Frame Kit	7
M-5473070	Scraper Ring In-Frame Kit	6, 7, 10
M-5473074	Scraper Ring In-Frame Kit	6, 7, 10
M-5473075	Scraper Ring In-Frame Kit	6, 7, 10
M-5532492	Lube Oil Pump Assy	20
MCB3680873	Injector Tube Kit	19
MCB4025214	Inframe Kit - Re-Ring - 2pc Articulated	11

ISX-QSX-X15

INDEX

Part #	Description	Page #
MCB4309389	Inframe Kit - Re-Ring - 1pc Steel - HPCR	11
MCB4309389-1	Inframe Kit - Re-Ring - 1pc Steel	11
MCB4309389-2	Inframe Kit - Re-Ring - 1pc Steel	11
MCB4376168	Inframe Kit - Re-Ring - 1pc Steel - HPCR	11
MCB4376168-1	Inframe Kit - Re-Ring - 1pc Steel	11
MCB4376391	Inframe Kit - Re-Ring - 1pc Steel - HPCR	11
MCB4376391-1	Inframe Kit - Re-Ring - 1pc Steel	11
MCB4376392	Inframe Kit - Re-Ring - 1pc Steel - HPCR	11
MCB4376392-1	Inframe Kit - Re-Ring - 1pc Steel	11
MCB4376392-2	Inframe Kit - Re-Ring - 1pc Steel	11
MCB7105	Injector Camshaft Bushing	16, 19
MCB7106	Injector Camshaft Bushing	16, 19
MCB7107	Camshaft Bushing Kit - STD	16, 19
MCB7108	Camshaft Bushing Kit - 1.0mm	16, 19
MCB7114	Valve Camshaft Bushing	16, 19, 20
MCB7141	Injector Sleeve - Optional	19

Part #	Description	Page #
MCB7243	Injector Tube Kit	20
MCBISX0007	Gear Cover Gasket Set - HPI	17
MCBISX0015	EGR Supplemental Gasket Set	17
MCBISX0017	Gear Cover Gasket Set - MCRS	17
MCBISX0027	Gear Cover Gasket Set - HPI	17
MCBISX0037	Gear Cover Gasket Set - MCRS	17
MCBISX005	Turbocharger Gasket Set	17
MCBISX009	Exhaust Hardware Kit	22
MCBISX019	Exhaust Hardware Kit	22
MCBISXINJ-1	Injector Screen Kit	17, 22
MCBISXINJ-2	Injector O-Ring Kit	17, 22
R-4010292	Fuel Injector - Reman	4, 5, 21
R-4062567	Fuel Injector - Reman	4, 5, 8, 21
R-4062568	Fuel Injector - Reman	4, 5, 8, 21
R-4062569	Fuel Injector - Reman	5, 8, 9, 21
R-4088301	Fuel Injector - Reman	4, 5, 8, 21
R-4088327	Fuel Injector - Reman	8, 21
R-4088665	Fuel Injector - Reman	5, 8, 9, 21
R-4928260	Fuel Injector - Reman	4, 5, 7, 9, 21
R-4928262	Fuel Injector - Reman	9, 21
R-4954434	Fuel Injector - Reman	4, 5, 21
R-4954888	Fuel Injector - Reman	4, 21



INTERSTATE-MCBEE, LLC LIMITED GENERAL PRODUCTS WARRANTY

- All Fuel Injection. New & Remanufactured
- Engine Management Systems & Components

Coverage

The parts furnished by Interstate-McBee are warranted to be free from defects in material and workmanship under normal use and service for a period of twelve (12) months (unlimited miles and hours), from date of first installation in an engine. This warranty applies to all owners in the chain of distribution, i.e. distributor, dealer, original owner, until the end of the respective periods of coverage and shall not apply to subsequent owners.

This warranty does not apply to parts provided by Interstate Interstate-McBee on a no-charge basis. In no event shall this warranty extend beyond twenty four (24) months from date of sale or manufacture.

INTERSTATE-MCBEE RESPONSIBILITIES

The obligation of Interstate-McBee under this warranty, statutory or otherwise, is limited to the replacement or repair of Interstate-McBee parts, which our inspection discloses to our satisfaction to have been defective. Repair will be performed at our factory in Cleveland, OH or other Interstate-McBee approved facility. Proof of purchase is required.

OWNER'S RESPONSIBILITIES

Owner is responsible for the operation and maintenance of the engine as specified in the APPLICABLE O.E.M. OPERATION AND MAINTENANCE MANUALS. Owner must give notice within (30) days of any suspected failure and before expiration of applicable warranty to be considered warrantable. Owner will provide alleged defective and associated parts for examination by Interstate-McBee and, if requested, return same F.O.B. Cleveland, Ohio. Interstate-McBee further reserves the right to examine any engine subject to a claim under this warranty. Owner is responsible for all costs, including, but not limited to, repairs made to items other than the engine in which the parts are installed, "downtime" expenses and all business costs and losses resulting from a warrantable failure. Copies of all work orders and invoices for repairs to the engine must accompany the claim. Additionally, on electronically controlled engines a complete Electronic Control Module (ECM) report (Extraction, Download) must also accompany the claim. ALL CLAIMS MUST BE FILED ONLINE AT WWW.INTERSTATE-MCBEE.COM.

WARRANTY LIMITATIONS

Interstate-McBee is not responsible for failure resulting from owner or operator abuse or neglect, such as, but not limited to: operation without adequate coolant, fuel or lubricants; over-speeding; lack of maintenance of lubricating system, coolant or air intake systems; improper storage, or starting. Interstate-McBee is not responsible for failures resulting from improper repair or installation, for parts that have been altered or for parts not approved by Interstate-McBee. This warranty does not apply to parts furnished on a no charge basis. Interstate-McBee does not warrant parts supplied by Interstate-McBee which bear the name and or trademark of another company. These parts are warranted by their manufacturers and not by Interstate-McBee. In no event shall this warranty extend beyond (twenty four (24) months from the date of sale. THERE ARE NO WARRANTIES EXPRESSED, IMPLIED OR STATUTORY, FOR THE PARTS NAMED HEREIN BEFORE, MADE BY INTERSTATE-MCBEE OTHER THAN SET FORTH HEREIN. We neither assume nor authorize any other persons to assume for us any other liability in connection with our products. INTERSTATE-MCBEE SHALL NOT BE RESPONSIBLE FOR ANY OTHER CONSEQUENTIAL DAMAGES OR CONTINGENT LIABILITIES. Further, in no event shall Interstate-McBee bear any responsibility for any damages, which exceed the then available aggregate coverage provided under the terms and conditions of its product liability policy.

This warranty shall be interpreted, governed and enforced in accordance with the laws of the State of Ohio, U.S.A. (For products not covered herein, see Interstate-McBee's Extended Warranty). Any actions or proceedings relating to this warranty must be filed or commenced within three (3) months of the alleged breach. If any of these warranty provisions or portions thereof is prohibited by law or by any court of competent jurisdiction, in any locality, its invalidity or unenforceability shall not affect the validity or the enforceability of any other warranty provisions or portions thereof.

INTERSTATE-MCBEE, LLC LIMITED EXTENDED WARRANTY

• Engine Parts

Diesel Engine

New engine parts furnished by Interstate-McBee are warranted to be free from defects in material and workmanship under normal use and service for a period of twenty-four (24) months from the date of installation, without mileage or hour limitation. This warranty applies to all owners in the chain of distribution, i.e. distributor, dealer, original owner, until the end of the respective periods of coverage and shall not apply to subsequent owners.

Natural Gas or Methane Engine and Prime Power Generation

New engine parts furnished by Interstate-McBee are warranted to be free from defects in material and workmanship under normal use and service, for a period of twenty four (24) months from the date of installation with the exception of valve train components which are warranted for twelve (12) months from the date of installation. This warranty applies to all owners in the chain of distribution, i.e. distributor, dealer, original owner, until the end of the respective periods of coverage and shall not apply to subsequent owners.

INTERSTATE-MCBEE RESPONSIBILITIES

Interstate-McBee will pay only for parts, labor and fluids needed to repair damages directly resulting from an above defined warranty failure to the functional condition existing immediately prior to the failure, including progressive damage to the engine in which the warrantable part was installed, provided Interstate-McBee's inspection of said failed part or parts discloses to our satisfaction to have been defective. Labor cost will be paid but not to exceed published flat rates times at Interstate-McBee's standard hourly rate. No overtime or holiday rates will be allowed. Only new or rebuilt Interstate-McBee or Interstate-McBee approved parts will be used in making the repair.

OWNER'S RESPONSIBILITIES

Owner is responsible for the operation and maintenance of the engine as specified in the APPLICABLE O.E.M. OPERATION AND MAINTENANCE MANUALS. Owner must give notice within (30) days of any suspected failure and before expiration of applicable warranty to be considered warrantable. Owner will provide alleged defective and associated parts for examination by Interstate-McBee and, if requested, return same F.O.B. Cleveland, Ohio. Additionally, a complete Electronic Control Module report must accompany the claim. Interstate-McBee further reserves the right to examine any engine subject to a claim under this warranty. Approved warranty work is to be performed by an authorized Interstate-McBee Distributor or Dealer or other Interstate-McBee approved facility. Copies of all work orders and invoices for repairs to the engine must accompany the claim. Owner is responsible for all costs, including, but not limited to, repairs made to items other than the engine in which the parts are installed, "downtime" expenses and all business costs and losses resulting from a warrantable failure. ALL CLAIMS MUST BE FILED ONLINE AT WWW.INTERSTATE-MCBEE.COM

WARRANTY LIMITATIONS

Interstate-McBee is not responsible for failure resulting from owner or operator abuse or neglect, such as, but not limited to: operation without adequate coolant, fuel or lubricants; over fueling; over speeding; lack of maintenance of lubricating, coolant or air intake systems; improper storage, starting, warm-up, run-in or shut down practices. Interstate-McBee is not responsible for failures resulting from improper repair or installation, for parts that have been altered or for parts not approved by Interstate-McBee. This warranty does not apply to parts furnished on a no charge basis. Interstate-McBee does not warrant parts supplied by Interstate-McBee which bear the name and trademark of another company. These parts are warranted by their manufacturers and not Interstate-McBee. In no event shall this warranty extend beyond (36) months from the date of sale. THERE ARE NO WARRANTIES EXPRESSED, IMPLIED OR STATUTORY, FOR THE PARTS NAMED HEREIN BEFORE, MADE BY INTERSTATE-MCBEE OTHER THAN SET FORTH HEREIN. We neither assume nor authorize any other persons to assume for us any other liability in connection with our products. INTERSTATE-MCBEE SHALL NOT BE RESPONSIBLE FOR ANY OTHER CONSEQUENTIAL DAMAGES OR CONTINGENT LIABILITIES. Further, in no event shall Interstate-McBee bear any responsibility for any damages, which exceed the then available aggregate coverage provided under the terms and conditions of its product liability policy.

This warranty shall be interpreted, governed and enforced in accordance with the laws of the State of Ohio, U.S.A. (For products not covered herein, see Interstate-McBee's General Product Warranty.) Any actions or proceedings relating to this warranty must be filed or commenced within three (3) months of the alleged breach. If any of these warranty provisions or portions thereof prohibited by law or by any court of competent jurisdiction, in any locality, its invalidity or unenforceability shall not affect the validity or enforceability of any other warranty provisions or portions thereof.



For Excellence in Export



INTERSTATE-McBEE

www.interstate-mcbee.com



World Headquarters

5300 Lakeside Ave.
Cleveland, OH 44114
PH: 216-881-0015
FAX: 216-881-0805

E-mail: sales@interstate-mcbee.com

California

13137 Arctic Circle
Santa Fe Springs, CA 90670
PH: 562-356-5414
FAX: 562-926-2452

Florida

9955 NW 58th Street
Doral, FL 33178
PH: 305-863-6650
FAX: 305-863-6272

Texas

1755 Transcentral Ct.
Suite 200
Houston, TX 77032
PH: 281-645-7168
FAX: 281-443-0202

“Quality Without Compromise”

Serving the Diesel and Natural Gas Industries for over 70 years